

PixelArc C

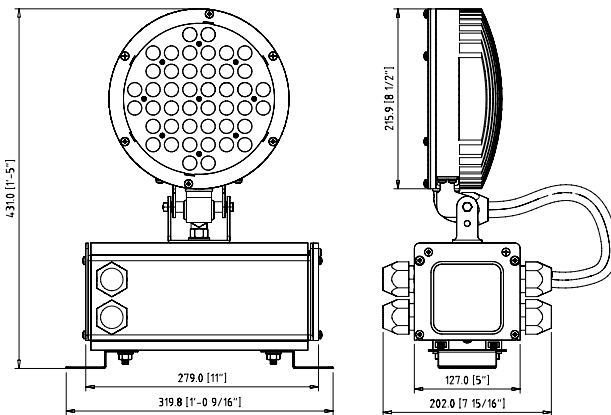
series H1 (hardwired wet/damp/dry)



CERTIFIED
LUXEON
LUMINAIRE MANUFACTURER

ACCESSORIES

- 10° Light Shaping Diffusion kit
- 20° Light Shaping Diffusion kit
- 30° Light Shaping Diffusion kit
- 40° Light Shaping Diffusion kit
- 60°x1 linear Light Shaping Diffusion kit



Features

- Hard wired unit only
- Wet/damp/dry location rated
- 44 high intensity red, green, blue, amber or white K2 Luxeon emitters
- Highest quality color binning
- Custom LED arrays available by request
- LED beam angle 8° full angle (other angles available upon request)
- Extensive color palette
- Head can be remotely located from PSU housing, with liquid tight approved conduit and conduit fittings

Preset Programming

- Onboard digital micro-processor accessible via user interface that provides access to 2 sets of 31 internal effects, each with the ability to vary the speed, intensity and crossfade for each effect
- High frequency strobing up to 28 frames per second (variable up to 10min)

Control

- Selectable dimming curve option including a new smooth dimmer curve that emulates dimming of a tungsten lamp
- 4 digit alpha-numeric display indicates fixture address and other menu functions
- Features real time readout display
- DMX 512 input and output hardwired via 1/2NPT liquid tight conduit fittings
- RDM ready
- Selectable 3 to 11 control channels
- Master/slave capabilities
- Selectable DMX address
- Master intensity controlled via DMX input or adjusted in stand alone mode
- Default factory reset (simple 2 button reset)
- Self test function

Cooling

- Convection cooled via a substantial heat sink

Finish

- Powder coated black as standard (other colors to order at an additional cost)

Weight

- Complete 15lbs (6.8kg)
- LED housing 7.5lbs (3.4kgs)
- Control housing 7.5lbs (3.4kgs)

Dimensions

- 10.6" (270mm) length x 6.5" (166mm) width x 17" (434mm) height

Electrical

- Auto ranging 100-240 vac power supply 50-60 hz
- Power and data to be hardwired via conduit (1/2NPT) at installation

Power Consumption

- Low power consumption (127 watts at full intensity) virtually no heat generated

UL LISTED E-File# 305745

PixelArc C

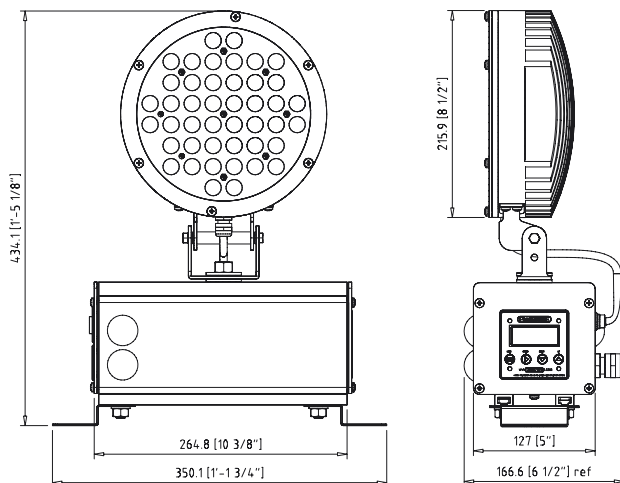
series H2 (entertainment damp/dry)



CERTIFIED
LUXEON
LUMINAIRE MANUFACTURER

ACCESSORIES

10° Light Shaping Diffusion kit
20° Light Shaping Diffusion kit
30° Light Shaping Diffusion kit
40° Light Shaping Diffusion kit
60°x1 linear Light Shaping Diffusion kit
Barn Door
Egg Crate Louvre



Features

- Plug and play unit
- Damp/dry location rated
- 44 high intensity red, green, blue, amber or white K2 Luxeon emitters
- Highest quality color binning
- Custom LED arrays available by request
- LED beam angle 8° full angle (other angles available upon request)
- Extensive color palette
- Head can be remotely located from PSU housing, with 6pin XLR cable/connectors

Preset Programming

- Onboard digital micro-processor accessible via user interface that provides access to 2 sets of 31 internal effects, each with the ability to vary the speed, intensity and crossfade for each effect
- High frequency strobing up to 28 frames per second (variable up to 10min)

Control

- Selectable dimming curve option including a new smooth dimmer curve that emulates dimming of a tungsten lamp
- 4 digit alpha-numeric display indicates fixture address and other menu functions
- Features real time readout display
- DMX 512 input and output via 5pin XLR chassis mounted connectors (daisy chainable)
- RDM ready
- Selectable 3 to 11 control channels
- Master/slave capabilities
- Selectable DMX address
- Master intensity controlled via DMX input or adjusted in stand alone mode
- Default factory reset (simple 2 button reset)
- Self test function

Cooling

- Convection cooled via a substantial heat sink

Finish

- Powder coated black as standard (other colors to order at an additional cost)

Weight

- Complete 15lbs (6.8kg)
- LED housing 7.5lbs (3.4kgs)
- Control housing 7.5lbs (3.4kgs)

Dimensions

- 10.6" (270mm) length x 6.5" (166mm) width x 17" (434mm) height

Electrical

- Auto ranging 100-240 vac power supply 50-60 hz
- 3' (1M) trailing lead

Power Consumption

- Low power consumption (127 watts at full intensity) virtually no heat generated

THIS IS NOT A UL LISTED PRODUCT